

Printer Controller Type 450e (B358)

PARTS CATALOG

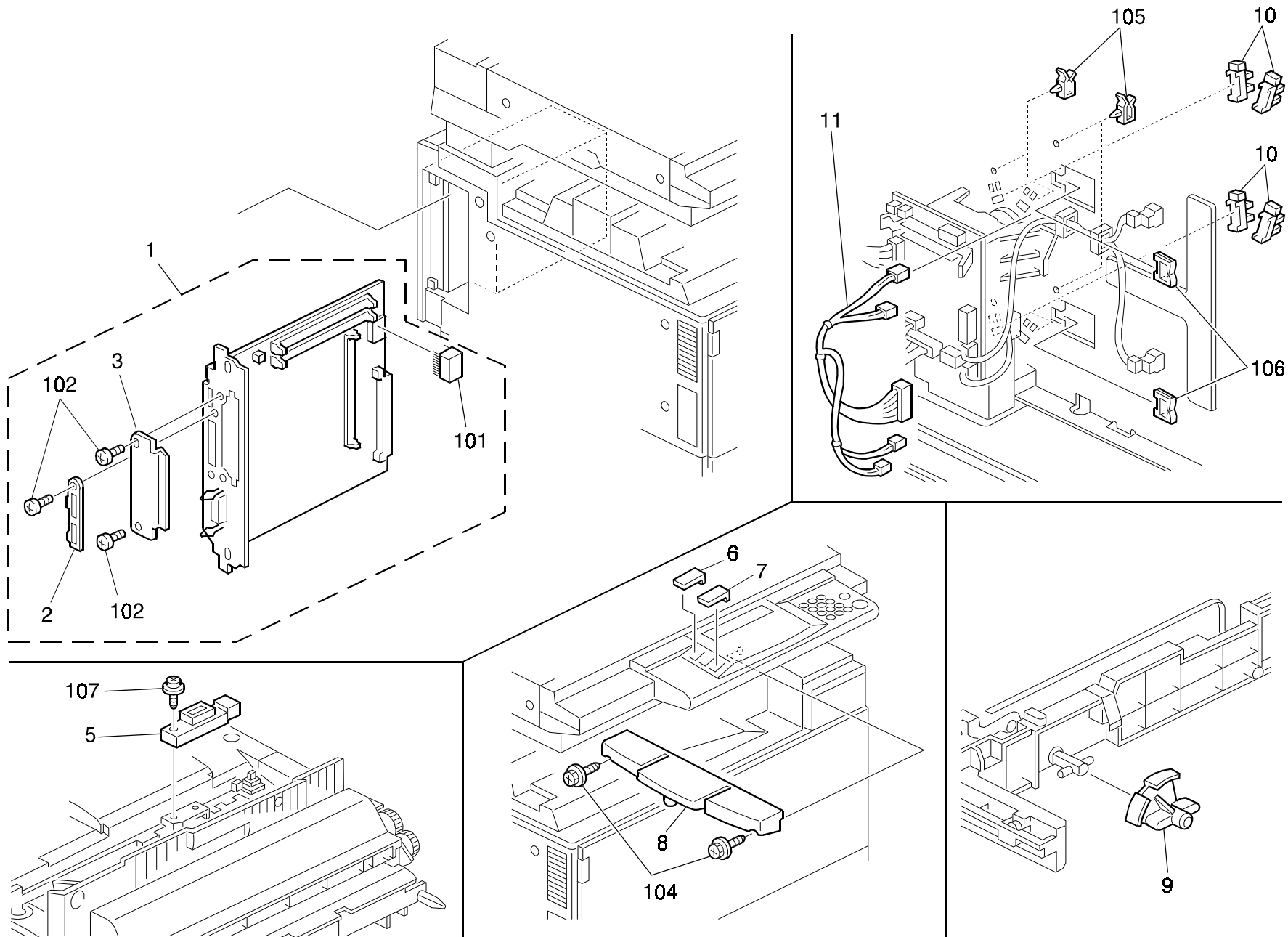
INTRODUCTION

This chapter instructs you the numbers and names of parts on this machine.

INDEX to PARTS CATALOG

1.PRINTER CONTROLER UNIT (B358)	2
2.PRINTER CONTROL BOARD (B358).....	5
PARTS INDEX	9

1.PRINTER CONTROLER UNIT (B358)



1.PRINTER CONTROLER UNIT (B358)



Index No.	Part No.	Description	Qty Per Assembly
1	B358 5650	Printer Controller	1
2	A850 5862	Cover - IC Card	1
3	A850 5864	Cover - NIC	1
5	AW01 0048	Photo Sensor - GP2A28N1	1
6	A693 7211	Copy Key - NA	1
6	A693 7611	Copy Key - EU	1
7	A850 7213	Key Top - Printer - NA	1
7	A850 7613	Key Top - Printer - EU	1
8	A235 4491	Paper Sensor Ass'y	1
9	A235 2979	Feeler - Paper Height Sensor	2
10	AW02 0056	Photointerrupter - EE-SX4235A-P1	4
11	A235 5408	Harness - Paper Hieght Sensor	1

Index No.	Part No.	Description	Qty Per Assembly
101	1407 4971	SRAM M48Z35Y-70PC1	
102	0313 0050B	Philips Pan Head Screw - M3x5	
104	0450 3008B	Tapping Screw - M3x8	
105	1105 0267	Harness Clamp - YMC-10-0	
106	1105 0328	Harness Clamp - ES-0505	
107	0951 3006B	Philips Screw With Flat Washer - M3x6	

2.PRINTER CONTROL BOARD (B358)

CAPACITOR

SYMBOL NO.	INDEX NO.	SYMBOL NO.	INDEX NO.	SYMBOL NO.	INDEX NO.	SYMBOL NO.	INDEX NO.	SYMBOL NO.	INDEX NO.	SYMBOL NO.	INDEX NO.		
C 1	----	C 11	123	C 21	140	C 31	140	C 41	140	C 51	140	C 61	140
C 2	----	C 12	123	C 22	140	C 32	140	C 42	140	C 52	140	C 62	139
C 3	----	C 13	123	C 23	140	C 33	140	C 43	140	C 53	140	C 63	140
C 4	123	C 14	123	C 24	140	C 34	140	C 44	140	C 54	140	C 64	140
C 5	----	C 15	140	C 25	140	C 35	140	C 45	140	C 55	140	C 65	140
C 6	123	C 16	140	C 26	140	C 36	140	C 46	140	C 56	140	C 66	140
C 7	123	C 17	140	C 27	140	C 37	140	C 47	140	C 57	140	C 67	139
C 8	13	C 18	140	C 28	140	C 38	140	C 48	140	C 58	140	C 68	140
C 9	13	C 19	140	C 29	140	C 39	140	C 49	140	C 59	140	C 69	140
C 10	123	C 20	140	C 30	140	C 40	140	C 50	140	C 60	140	C 70	140

CAPACITOR

SYMBOL NO.	INDEX NO.	SYMBOL NO.	INDEX NO.	SYMBOL NO.	INDEX NO.	SYMBOL NO.	INDEX NO.
C 71	140	C 81	140	C 91	140	C 101	----
C 72	140	C 82	140	C 92	140	C 102	----
C 73	140	C 83	140	C 93	140	C 103	140
C 74	140	C 84	140	C 94	140	C 104	138
C 75	140	C 85	----	C 95	140	C 105	138
C 76	140	C 86	140	C 96	140	C 106	140
C 77	140	C 87	139	C 97	140	C 107	140
C 78	140	C 88	140	C 98	139	C 108	139
C 79	139	C 89	140	C 99	139	C 109	139
C 80	140	C 90	140	C 100	----	C 110	140

CONNECTOR

SYMBOL NO.	INDEX NO.
CN 1	105
CN 2	103
CN 3	11
CN 4	101
CN 10	104
CN 12	104
CN 13	104
CN 14	14

DIODE

SYMBOL NO.	INDEX NO.
D 1	8

FILTER

SYMBOL NO.	INDEX NO.
FIL 1	124
FIL 2	124
FIL 3	124
FIL 4	124
FIL 5	124
FIL 6	125

2.PRINTER CONTROL BOARD (B358)

IC

SYMBOL NO.	INDEX NO.
IC 1	----
IC 2	118
IC 3	121
IC 4	121
IC 5	121
IC 6	121
IC 7	----
IC 8	112
IC 9	113
IC 10	116

SYMBOL NO.	INDEX NO.
IC 11	120
IC 12	3
IC 13	3
IC 14	3
IC 15	3
IC 16	3
IC 17	3
IC 18	3
IC 19	3
IC 20	3

SYMBOL NO.	INDEX NO.
IC 21	3
IC 22	3
IC 23	3
IC 24	3
IC 25	5
IC 26	2
IC 27	116
IC 28	4
IC 29	3
IC 30	3

SYMBOL NO.	INDEX NO.
IC 31	3
IC 32	3
IC 33	3
IC 34	3
IC 35	3
IC 36	3
IC 37	3
IC 38	3
IC 39	1
IC 40	113

SYMBOL NO.	INDEX NO.
IC 41	115
IC 42	12
IC 43	117
IC 44	----
IC 45	----
IC 46	----
IC 47	----
IC 48	3
IC 49	3
IC 50	3

SYMBOL NO.	INDEX NO.
IC 51	3
IC 52	119
(Socket)	106
IC 53	3
IC 54	114
IC 55	141
(Socket)	107
IC 56	141
(Socket)	107
IC 57	141
(Socket)	107

SYMBOL NO.	INDEX NO.
IC 58	141
(Socket)	107
IC 59	----
IC 60	3
IC 61	117
IC 62	117

JP

SYMBOL NO.	INDEX NO.
JP 1	136
JP 2	136
JP 3	136
JP 4	136
JP 5	136
JP 6	136
JP 7	136
JP 8	136
JP 9	136
JP 10	136

SYMBOL NO.	INDEX NO.
JP 11	136
JP 12	----
JP 13	136
JP 14	136
JP 15	136
JP 16	136
JP 17	136
JP 18	136
JP 19	136
JP 20	136

SYMBOL NO.	INDEX NO.
JP 21	----
JP 22	----
JP 23	136
JP 24	137

LED

SYMBOL NO.	INDEX NO.
LED 1	110
LED 2	111
LED 3	111
LED 4	111
LED 5	111

L

SYMBOL NO.	INDEX NO.
L 1	9

OSC

SYMBOL NO.	INDEX NO.
OSC 1	122
OSC 2	6

Q

SYMBOL NO.	INDEX NO.
Q 1	7

2.PRINTER CONTROL BOARD (B358)

RESISTOR

SYMBOL NO.	INDEX NO.	SYMBOL NO.	INDEX NO.	SYMBOL NO.	INDEX NO.	SYMBOL NO.	INDEX NO.	SYMBOL NO.	INDEX NO.	SYMBOL NO.	INDEX NO.	SYMBOL NO.	INDEX NO.
R 1	10	R 11	----	R 21	131	R 31	128	R 41	131	R 51	128	R 61	128
R 2	131	R 12	127	R 22	126	R 32	128	R 42	131	R 52	----	R 62	134
R 3	128	R 13	128	R 23	129	R 33	128	R 43	----	R 53	----	R 63	134
R 4	128	R 14	128	R 24	129	R 34	128	R 44	128	R 54	128	R 64	134
R 5	128	R 15	128	R 25	129	R 35	128	R 45	129	R 55	128	R 65	134
R 6	128	R 16	128	R 26	129	R 36	128	R 46	128	R 56	134	R 66	134
R 7	128	R 17	128	R 27	131	R 37	128	R 47	128	R 57	134	R 67	134
R 8	128	R 18	131	R 28	131	R 38	128	R 48	129	R 58	134	R 68	134
R 9	128	R 19	131	R 29	129	R 39	128	R 49	131	R 59	134	R 69	----
R 10	127	R 20	131	R 30	129	R 40	131	R 50	----	R 60	132	R 70	128

RESISTOR

SYMBOL NO.	INDEX NO.	SYMBOL NO.	INDEX NO.	SYMBOL NO.	INDEX NO.	SYMBOL NO.	INDEX NO.
R 71	128	R 81	128	R 91	135	R 101	128
R 72	128	R 82	----	R 92	135	R 102	128
R 73	132	R 83	133	R 93	135	R 103	128
R 74	131	R 84	127	R 94	135	R 104	135
R 75	128	R 85	125	R 95	128	R 105	135
R 76	131	R 86	126	R 96	128	R 106	135
R 77	131	R 87	127	R 97	128	R 107	135
R 78	128	R 88	130	R 98	128	R 108	135
R 79	128	R 89	128	R 99	128	R 109	135
R 80	128	R 90	128	R 100	128	R 110	----

SWITCH

SYMBOL NO.	INDEX NO.
SW 1	108
SW 2	109

TB

SYMBOL NO.	INDEX NO.
TB 1	102
TB 2	102

2.PRINTER CONTROL BOARD (B358)

Index No.	Part No.	Description	Qty Per Assembly
*	B358 5650	Printer Controller	1
1	A850 5202	IC - QP1800	1
2	A850 5203	PLD XC5202-6VQ64C	1
3	A850 5204	IC - IDT74FCT2245CTQ	1
4	A850 5206	IC - MAX707CSA	1
5	A850 5207	IC - MAX1626ESA	1
6	A850 5208	Oscillator - SG531P 14.7456MHZ	1
7	A850 5210	Transistor - MMSF3P02HD	1
8	A850 5211	Diode - MBRS340T3	1
9	A850 5212	Coil - CDRH125-220	1
10	A850 5215	Resistor - 0.04 Ω \pm 1.00% 1W	1
11	A850 5222	Connector - DHB-PK50-S13NN	1
12	G035 6050	IC - PPC603EPG-100	1
13	G035 6052	Capacitor - 10V 220 μ F \pm 20%	1
14	H523 7105	Connector - 53871-6810	1



Index No.	Part No.	Description	Qty Per Assembly
101	1102 5063	Connector - FCN685J036-L/YA	
102	1102 5944	Connector - 3P	
103	1102 6653	Connector - 44P	
104	1102 7395	SIM Socket - 89185-7214	
105	1102 7626	Connector - TX25-80P-LT-N1	
106	1104 0377	IC Socket - 28P - DICF-28CS-E	
107	1104 0683	Socket - IMSA-9206H-GF	
108	1204 2286	Switch - SKHHLMA010	
109	1204 2368	DIP Switch - DSS804	
110	1403 0531	LED - PG1102W	
111	1403 0664	LED - BR1102W	
112	1407 1596	TTLIC - SN74LS14NS	
113	1407 2134	TTLIC - 74F32SJ	
114	1407 2463	TTL - IC - SN74ALS08NS	
115	1407 2588	TTLIC - SN74ALS04BNS	
116	1407 2816	TTL - SN74ALS374ANS	
117	1407 2833	TTLIC - SN74ALS273NS	
118	1407 3355	TTLIC 74F125SJ	
119	1407 4971	SRAM M48Z35Y-70PC1	
120	1407 5016	CMOS IC - 74LVX161284MEA	
121	1407 5151	IC - MBM29F160TE70TN	
122	1503 0713	Oscillator - SG-531PH 66MHZ	
123	1604 4454	Capacitor - 22 μ F20V	
124	1607 0978	Inductor - BLM21P300SPB	
125	1607 1045	Filter - ACB2012M-300	
126	1630 2100	Resistor - 10 Ω 1/8W \pm 5%	
127	1630 2102	Resistor - 1K Ω 1/8W \pm 5%	
128	1630 2103	Resistor - 10K Ω 1/8W	
129	1630 2220	Resistor - 22 Ω 1/8W \pm 5%	
130	1630 2222	Resistor - 2.2K Ω 1/8W	
131	1630 2271	Resistor - 270 Ω - 1/8W	
132	1630 2332	Resistor - 3.3K Ω 1/8W \pm 5%	
133	1630 3100	Resistor - 10 Ω \pm 5% 1/10W	
134	1630 3101	Resistor - 100 Ω - 1/10W	
135	1630 3330	Resistor - 33 Ω \pm 5% 1/10W	



Index No.	Part No.	Description	Qty Per Assembly
136	1632 0000	Resistor - 0 Ω 1/8W	
137	1634 0000	Resistor - 0 Ω 1/16W	
138	1660 3471	Capacitor - 470pF 50V	
139	1660 5102	Capacitor - 1000pF \pm 10% 50V	
140	1660 7104	Capacitor - 100000pF 50V	
141	1903 1015	DRAM - 16M 1MX16 60NS EDO G8	

Index No.	Part No.	Description	Qty Per Assembly
-----------	----------	-------------	------------------

PARTS INDEX

Part No.	Description	Page and Index No.
B358 5650	Printer Controller	3- 1
B358 5650	Printer Controller	7- *

Part No.	Description	Page and Index No
AW01 0048	Photo Sensor - GP2A28N1	3- 5
AW02 0056	Photointerrupter - EE-SX4235A-P1	3- 10
G035 6050	IC - PPC603EPG-100	7- 12
G035 6052	Capacitor - 10V 220 μ F \pm 20%	7- 13
H523 7105	Connector - 53871-6810	7- 14

Part No.	Description	Page and Index No.
A235 2979	Feeler - Paper Height Sensor	3- 9
A235 4491	Paper Sensor Ass'y	3- 8
A235 5408	Harness - Paper Height Sensor	3- 11
A693 7211	Copy Key - NA	3- 6
A693 7611	Copy Key - EU	3- 6
A850 5202	IC - QP1800	7- 1
A850 5203	PLD XC5202-6VQ64C	7- 2
A850 5204	IC - IDT74FCT2245CTQ	7- 3
A850 5206	IC - MAX707CSA	7- 4
A850 5207	IC - MAX1626ESA	7- 5
A850 5208	Oscillator - SG531P 14.7456MHZ	7- 6
A850 5210	Transistor - MMSF3P02HD	7- 7
A850 5211	Diode - MBRS340T3	7- 8
A850 5212	Coil - CDRH125-220	7- 9
A850 5215	Resistor - 0.04 Ω \pm 1.00% 1W	7- 10
A850 5222	Connector - DHB-PK50-S13NN	7- 11
A850 5862	Cover - IC Card	3- 2
A850 5864	Cover - NIC	3- 3
A850 7213	Key Top - Printer - NA	3- 7
A850 7613	Key Top - Printer - EU	3- 7

Part No.	Description	Page and Index No
0313 0050B	Philips Pan Head Screw - M3x5	3-102
0450 3008B	Tapping Screw - M3x8	3-104
0951 3006B	Philips Screw With Flat Washer - M3x6	3-107
1102 5063	Connector - FCN685J036-L/YA	7-101
1102 5944	Connector - 3P	7-102
1102 6653	Connector - 44P	7-103
1102 7395	SIM Socket - 89185-7214	7-104
1102 7626	Connector - TX25-80P-LT-N1	7-105
1104 0377	IC Socket - 28P - DDCF-28CS-E	7-106
1104 0683	Socket - IMSA-9206H-GF	7-107
1105 0267	Harness Clamp - YMC-10-0	3-105
1105 0328	Harness Clamp - ES-0505	3-106
1204 2286	Switch - SKHHLMA010	7-108
1204 2368	DIP Switch - DSS804	7-109
1403 0531	LED - PG1102W	7-110
1403 0664	LED - BR1102W	7-111
1407 1596	TTLIC - SN74LS14NS	7-112
1407 2134	TTLIC - 74F32SJ	7-113
1407 2463	TTL - IC - SN74ALS08NS	7-114
1407 2588	TTLIC - SN74ALS04BNS	7-115
1407 2816	TTL - SN74ALS374ANS	7-116
1407 2833	TTLIC - SN74ALS273NS	7-117
1407 3355	TTLIC 74F125SJ	7-118
1407 4971	SRAM M48Z35Y-70PC1	7-119
1407 4971	SRAM M48Z35Y-70PC1	3-101
1407 5016	CMOS IC - 74LVX161284MEA	7-120
1407 5151	IC - MBM29F160TE70TN	7-121
1503 0713	Oscillator - SG-531PH 66MHZ	7-122
1604 4454	Capacitor - 22 μ F 20V	7-123
1607 0978	Inductor - BLM21P300SPB	7-124
1607 1045	Filter - ACB2012M-300	7-125
1630 2100	Resistor - 10 Ω 1/8W \pm 5%	7-126
1630 2102	Resistor - 1K Ω 1/8W \pm 5%	7-127
1630 2103	Resistor - 10K Ω 1/8W	7-128
1630 2220	Resistor - 22 Ω 1/8W \pm 5%	7-129

Part No.	Description	Page and Index No.
1630 2222	Resistor - 2.2K Ω 1/8W	7-130
1630 2271	Resistor - 270 Ω - 1/8W	7-131
1630 2332	Resistor - 3.3K Ω 1/8W \pm 5%	7-132
1630 3100	Resistor - 10 Ω \pm 5% 1/10W	7-133
1630 3101	Resistor - 100 Ω - 1/10W	7-134
1630 3330	Resistor - 33 Ω \pm 5% 1/10W	7-135
1632 0000	Resistor - 0 Ω 1/8W	7-136
1634 0000	Resistor - 0 Ω 1/16W	7-137
1660 3471	Capacitor - 470pF 50V	7-138
1660 5102	Capacitor - 1000pF \pm 10% 50V	7-139
1660 7104	Capacitor - 100000pF 50V	7-140
1903 1015	DRAM - 16M 1MX16 60NS EDO G8	7-141

Part No.	Description	Page and Index No